



# TAI-SAW TECHNOLOGY CO., LTD.

No. 3, Industrial 2nd Rd., Ping-Chen Industrial District,  
Taoyuan, 324, Taiwan, R.O.C.

TEL: 886-3-4690038 FAX: 886-3-4697532

E-mail: [tstsales@mail.taisaw.com](mailto:tstsales@mail.taisaw.com) Web: [www.taisaw.com](http://www.taisaw.com)

## Approval Sheet For Product Specification

Issued Date: Mar, 19, 2009

Product Name: SAW Filter 403.5 MHz SMD 3.8X3.8 mm

TST Parts No.: TA0997A

Customer Parts No.: \_\_\_\_\_

Company: _____
Division: _____
Approved by : _____
Date: _____

Checked by: \_\_\_\_\_ Bob Chau *Bob Chau*

Approval by: \_\_\_\_\_ Francis Chen *Francis Chen*

Date: \_\_\_\_\_ 3, 19, 2009



# TAI-SAW TECHNOLOGY CO., LTD.

No. 3, Industrial 2nd Rd., Ping-Chen Industrial District,  
Taoyuan, 324, Taiwan, R.O.C.

TEL: 886-3-4690038 FAX: 886-3-4697532

E-mail: [tstsales@mail.taisaw.com](mailto:tstsales@mail.taisaw.com) Web: [www.taisaw.com](http://www.taisaw.com)

## SAW Filter 403.5 MHz

MODEL NO.:TA0997A

REV. NO.:1

### A. MAXIMUM RATING:

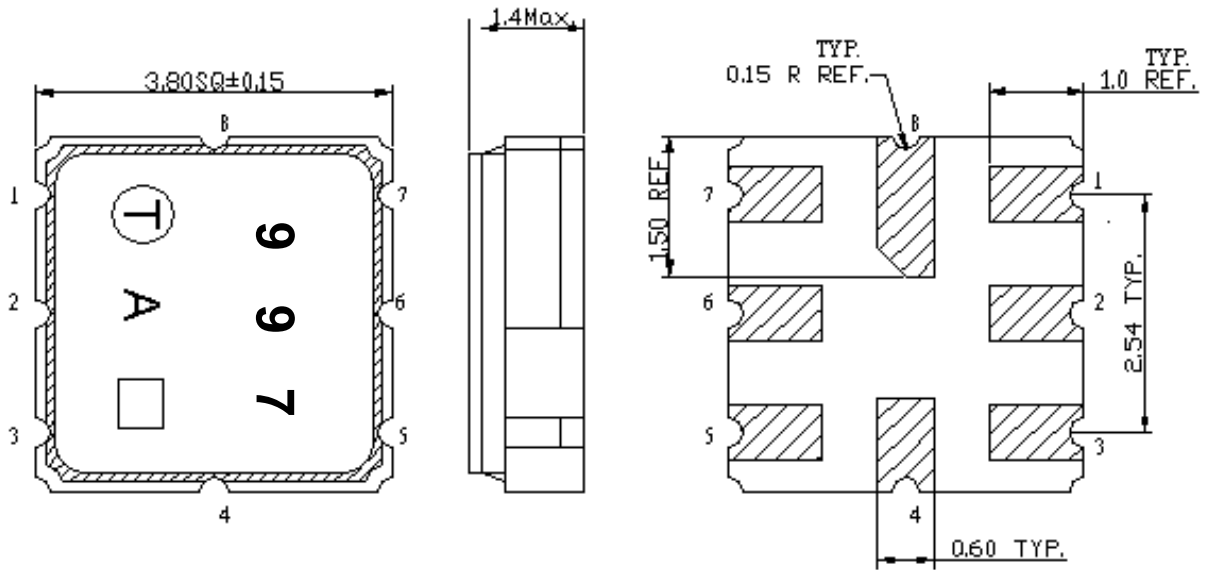
1. Input Power Level: 17 dBm
2. DC Voltage : 3V
3. Operating Temperature: +20°C to +50°C
4. Storage Temperature: -55°C to +85°C

RoHS Compliant  
Lead free  
Lead-free soldering

### B. ELECTRICAL CHARACTERISTICS:

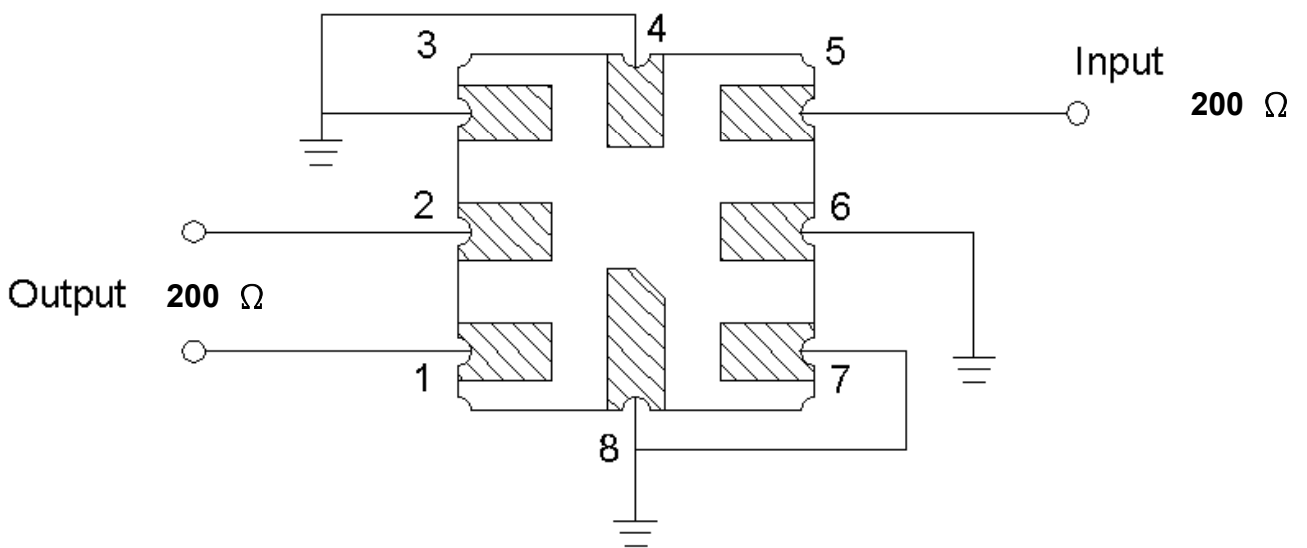
Item	Unit	Min.	Typ.	Max.	Note
Center Frequency <b>Fc</b>	MHz	-	403.5	-	-
Min. Insertion loss (402~405MHz) <b>IL</b>	dB	-	1.8	2.5	-
Amplitude Ripple (402 ~ 405 MHz)	dB	-	0.75	1.2	-
Bandwidth	MHz	3	5	10	-
VSWR (402~405 MHz)		-	1.6	2.1	-
<b>Attenuation</b> (Reference level from 0 dB)					
0.3 ~ 359 MHz	dB	50	55	-	-
359 ~ 391 MHz	dB	40	56	-	-
391 ~ 397 MHz	dB	15	38	-	-
411 ~ 415 MHz	dB	10	31	-	-
415 ~ 423 MHz	dB	20	41	-	-
423 ~ 448 MHz	dB	35	56	-	-
448 ~ 500 MHz	dB	52	60	-	-
Temperature Coefficient of Frequency	ppm/°C	-	-36	-	-

**C. OUTLINE DRAWING:**

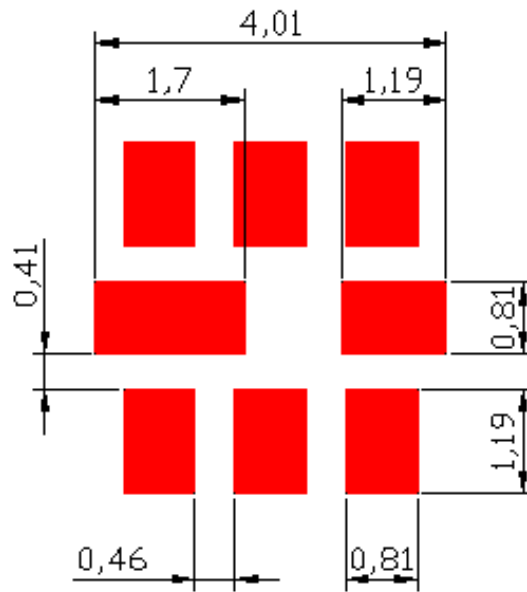


- 1 : Output
- 2 : Output
- 5: Input
- 6: Input RF Return
- 3,4,7,8: Ground
- : Date Code (W01->A, W02->B,...,W52->z)

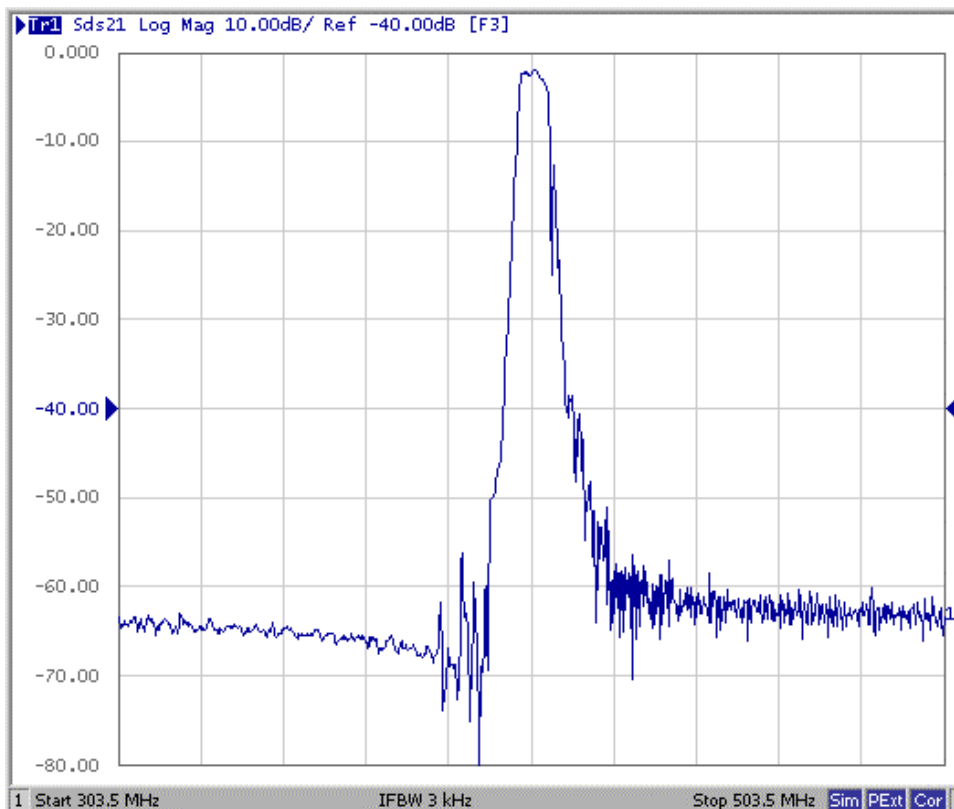
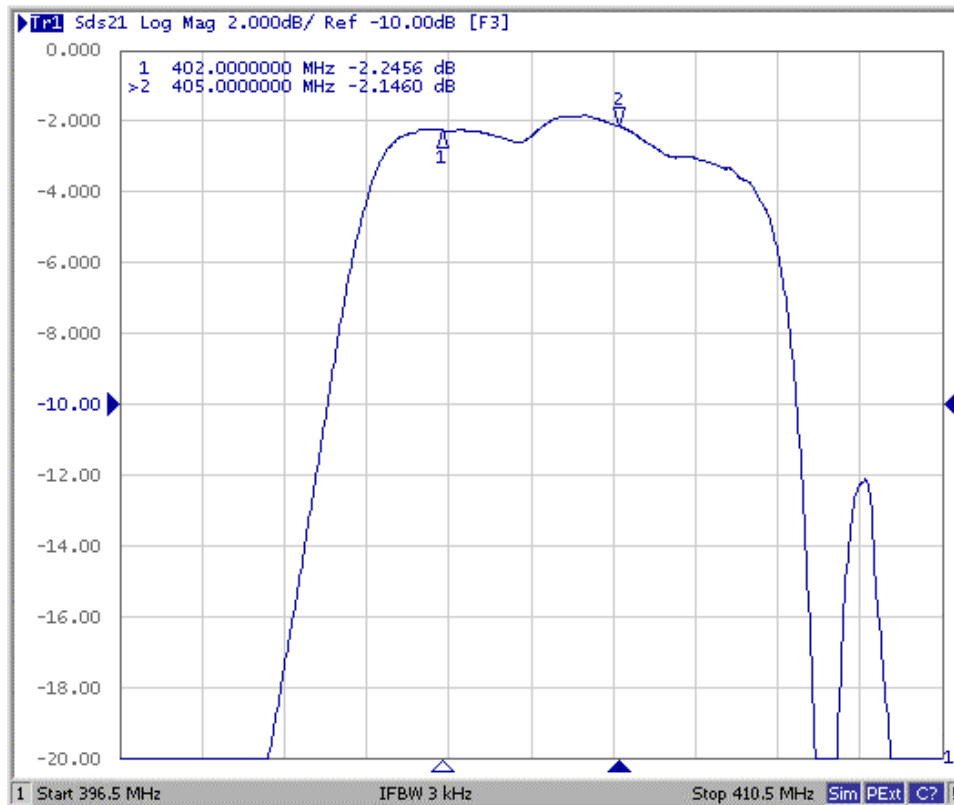
**D. MEASUREMENT CIRCUIT:**



**E. PCB Footprint:**

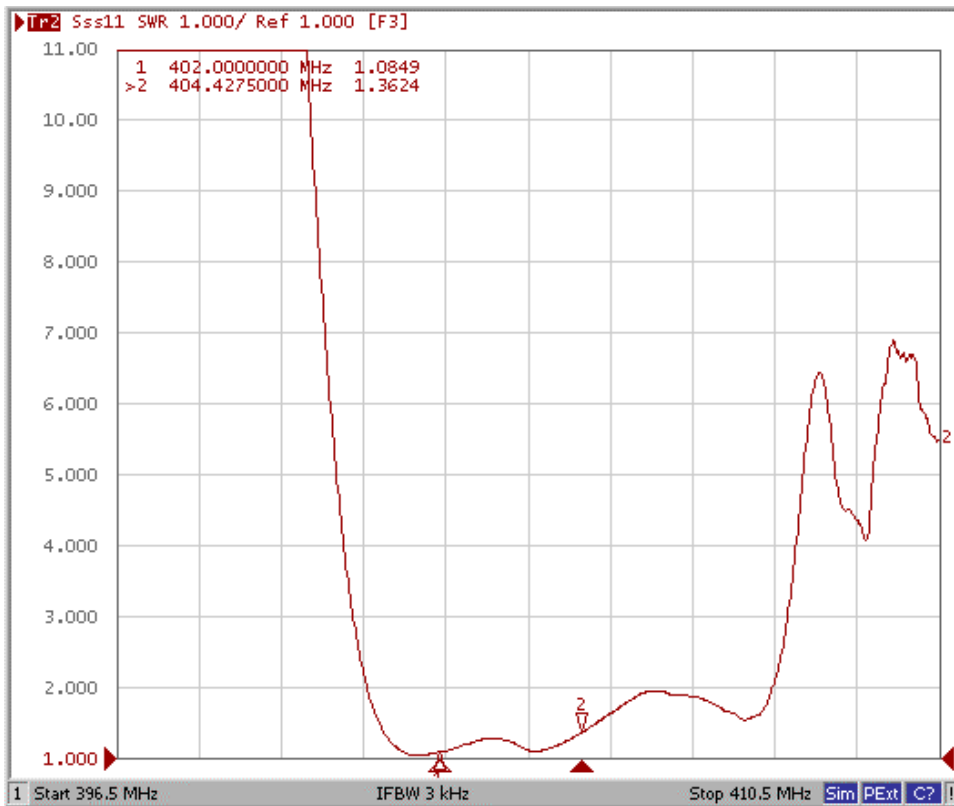


## F. Frequency Characteristics :

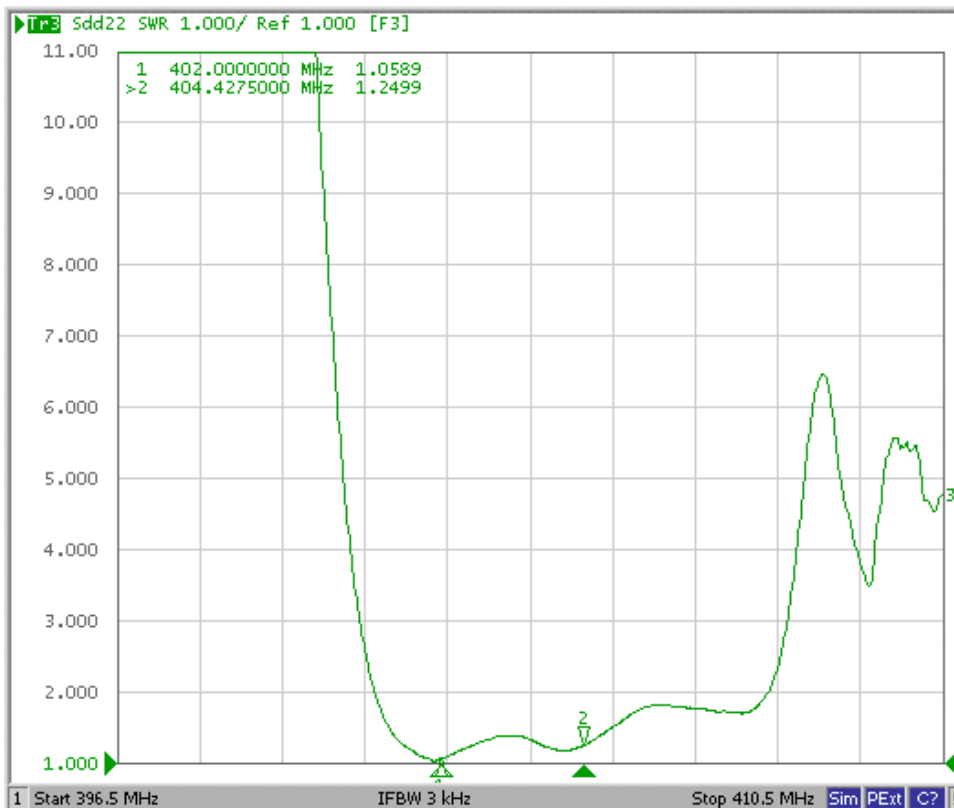


# Reflection Functions :

## S11



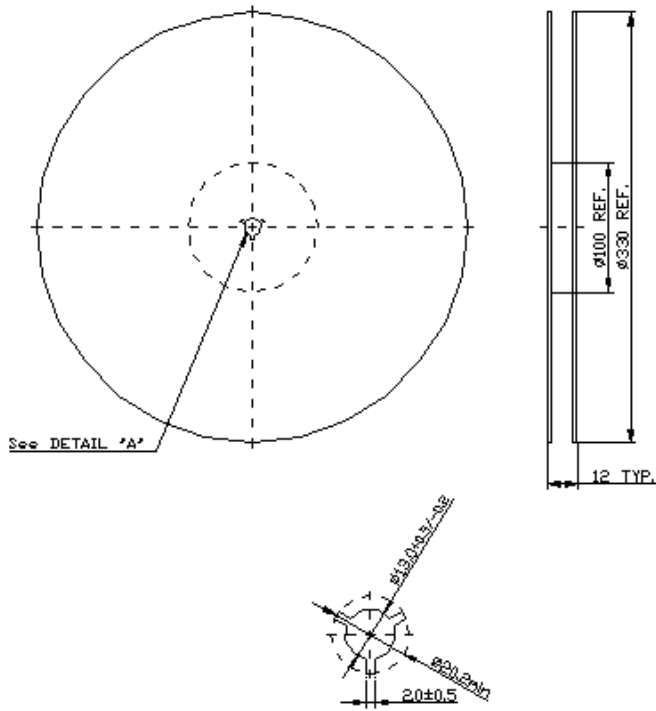
## S22



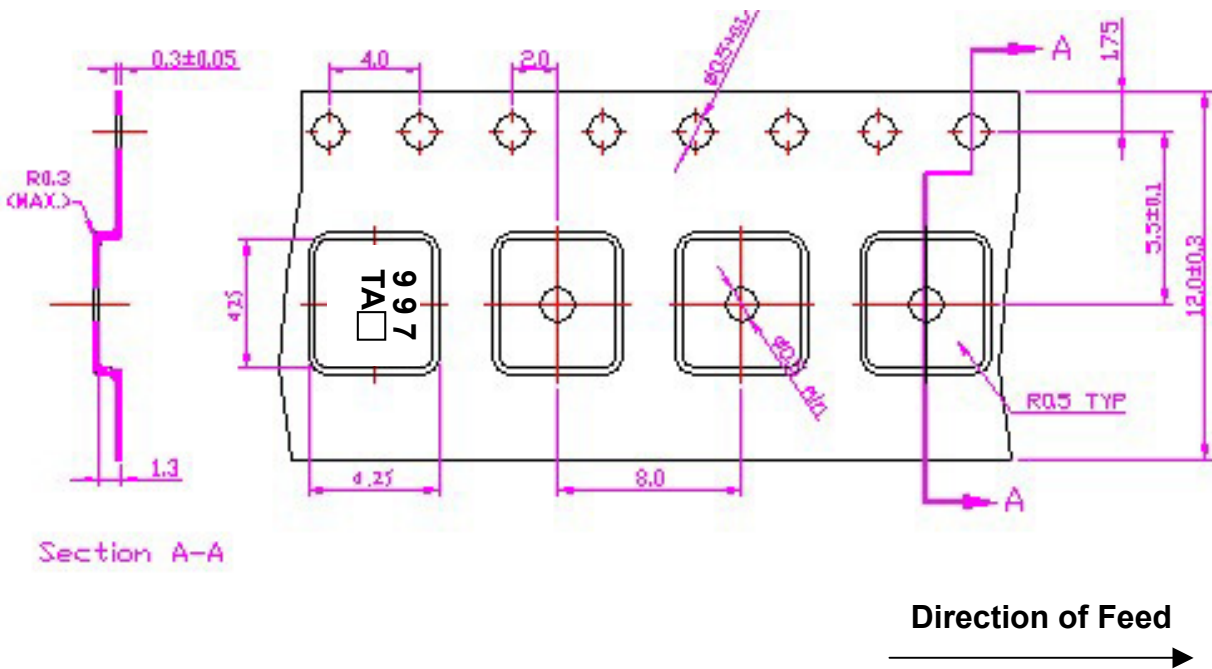
**G. PACKING:**

**1. REEL DIMENSION**

(Reel Count : 7"=1000 ; 13"=3000 )



**2.TAPE DIMENSION**



**H. RECOMMENDED REFLOW PROFILE :**

